

FW / FWM Series Panel PC / Monitor



Features :

- ◆ Full Stainless with #304 or #316 Fanless Design
- ◆ Intel Atom/Elkhart/Whiskey/Alder/Raptor/Meteor Lake Processor
- ◆ Supports both Resistive and Projected Capacitive Touch
- ◆ Full IP65, IP66 or IP69/K Waterproof Panel PC
- ◆ VESA Mount or Stand for Various Demands
- ◆ Supports WiFi, BlueTooth, Scanner, RFID, MSR, etc
- ◆ Food & Beverage Industry or any Harsh Environment
- ◆ This model/size also comes in MONITOR-ONLY Version



Specification	Intel Atom Celeron Processor Series	Intel Core-i ULV Processor Series
LCD		
Display Type	12"~23.8" TFT LCD	12"~23.8" TFT LCD
Max. Colors	16.7M	16.7M
Luminance	250 cd/m2 ~ 1500 cd/m2	250 cd/m2 ~ 1500 cd/m2
Viewing Angle	160° ~178° H, 160° ~178° V	160° ~178° H, 160° ~178° V
LED Backlight (Hours)	30000 ~ 70000	30000 ~ 70000
TOUCH SCREEN		
Type	Resistive or Projected Capacitive Touch	Resistive or Projected Capacitive Touch
Touch Screen	Single-point Resistive, 10-points PCAP	Single-point Resistive, 10-points PCAP
SYSTEM		
Processor	Intel Atom Celeron Processor Bay Trail J1900, 10W Elkhart Lake J6412/J6413, x6413E(WT), 10W Alder Lake N100/N97, i3-N305, 6~15W	Intel Core-i ULV Processor Kaby(7 th) : Core i3-7100U, i5-7300U, i7-7600U, 15W Whiskey(8 th) : Core i3-8145UE, i5-8365UE, i7-8665UE, 15W Raptor(13 th) : Core i3-1315UE, i5-1335UE, i7-1365UE, 28W Meteor(14 th) : Core Ultra 7-165U/155U, Ultra 5-135U/125U, 15W to 28W
System Memory	DDR3L or DDR4 SO-DIMM up to 16G or 32G	DDR4 or DDR5 SO-DIMM up to 32G or 64G
Chipset	Integrated	Integrated
Network	2 x LAN Gigabit Ethernet	2 x LAN Gigabit Ethernet
I/O Port	2xUSB2.0, 2xUSB3.0, 2xRS-232, 1xRS-232/422/485 1xVGA, 1xHDMI, 1xDC-in Jack	4xUSB3.0, 2xUSB2.0, 2xRS-232, 1xRS-232/422/485 1xHDMI, 1xDP & 1xVGA(optional), 1xDC-in Jack
Watchdog Timer	256-level Watchdog Timer	256-level Watchdog Timer
System Security	TPM (optional)	TPM
Storage	1xSATA 3.0	1xSATA 3.0
Expansion Slot	1xmini-PCIe, 1xM.2-B	1xM.2-M, 1xM.2-B, 1xM.2-E
Audio	N/A	N/A
OS Support	Windows 10 or 11 IoT Enterprise 64-bit, Linux, Ubuntu 20.04	Windows 10 or 11 IoT Enterprise 64-bit, Linux, Ubuntu 20.04
POWER REQUIREMENT		
Power Input	DC 12 to 24VDC(optional 9~36V)	DC 12 to 24VDC(optional 9~36V)
Power Adapter	AC to DC 12/8A, 96W adapter	AC to DC 12/8A, 96W adapter
MECHANICAL		
Mounting	VESA 75x75 or 100x100 mm	VESA 75x75 or 100x100 mm
Dimension	Based on LCD size	Based on LCD size
Weight	Based on LCD size	Based on LCD size
ENVIRONMENT		
Operation Temperature	0°C ~ +50°C (32°F ~122°F)	0°C ~ +50°C (32°F ~122°F)
Storage Temperature	-20°C ~ +60°C (-4°F ~ 140°F)	-20°C ~ +60°C (-4°F ~ 140°F)
Storage Humidity	10% ~ 90%, non-condensing	10% ~ 90%, non-condensing
Vibration Resistance	Sine Frequency : 10~500Hz, Acceleration : 3G, Sweeping Rate : 1 Oct/min, Test : X/Y/Z axis, 30 min/axis	Sine Frequency : 10~500Hz, Acceleration : 3G, Sweeping Rate : 1 Oct/min, Test : X/Y/Z axis, 30 min/axis
EMC	CE, FCC Class A	CE, FCC Class A
Ingress Protection	IP65, IP66, or IP69/K(optional)	IP65, IP66, or IP69/K(optional)
OPTION		
Peripherals	WiFi, BlueTooth, Scanner, RFID, MSR, etc	WiFi, BlueTooth, Scanner, RFID, MSR, etc

Features



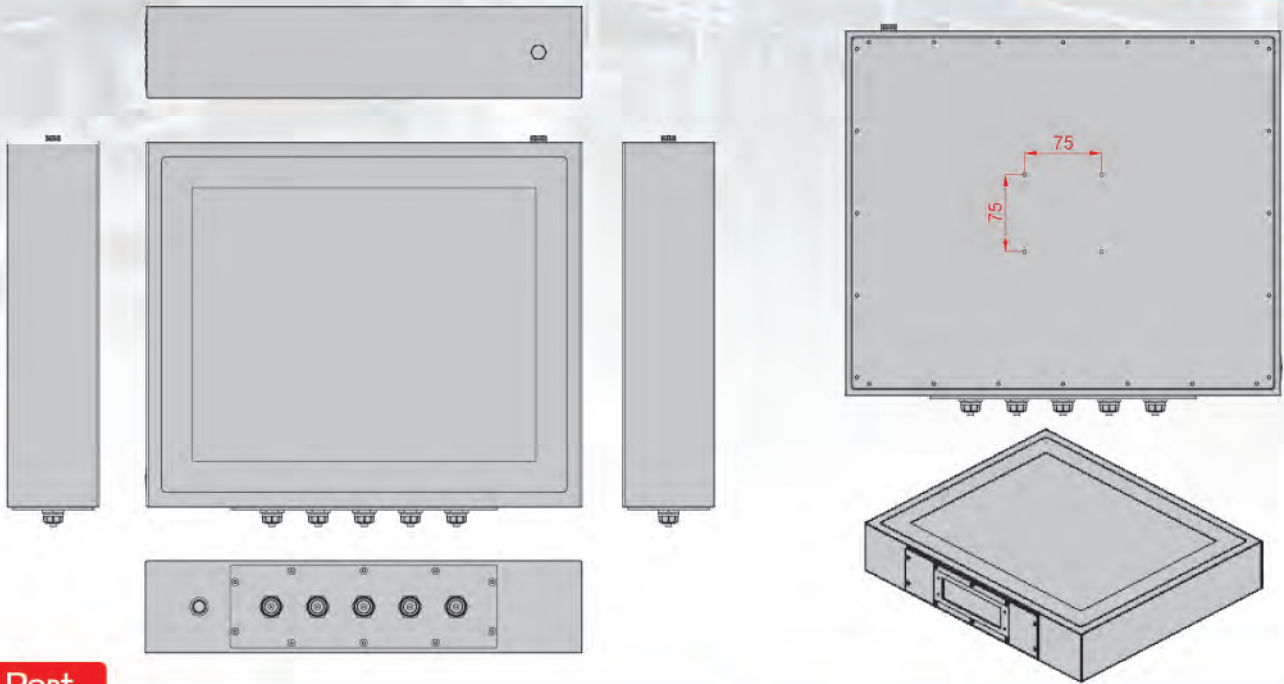
■ Full Water-Proof



■ Prevents Condensation

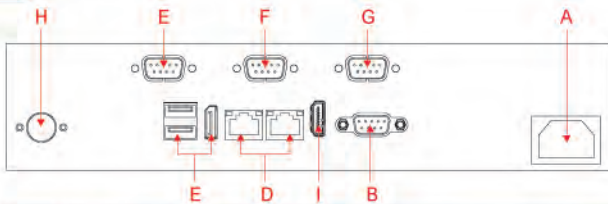


■ Water-proof M12 I/O



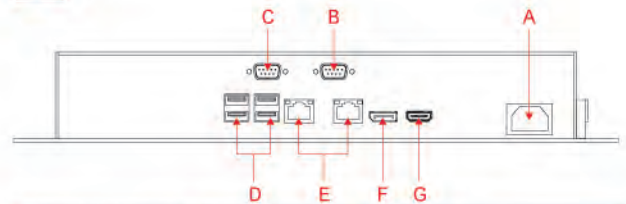
I/O Port

Intel® Atom Bay Trail Series



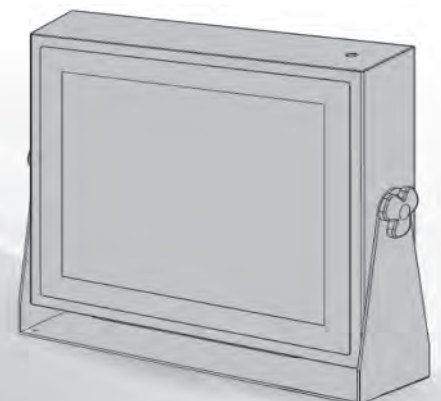
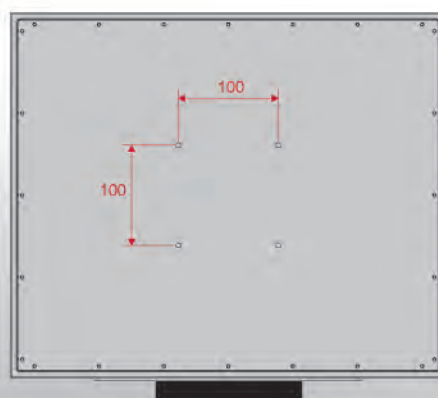
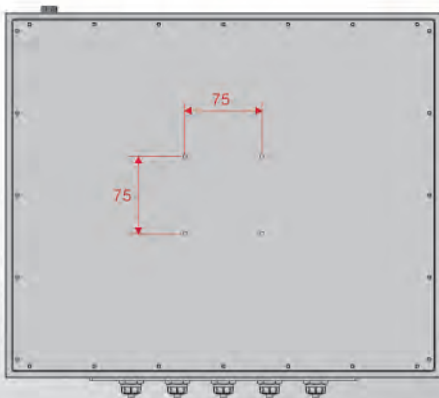
Number	Component
A	AC-in Jack(AC100~240V 50~60Hz)
B	VGA
C	USB X 3
D	LAN X 2
E	COM 1
F	COM 2
G	COM 3
H	PS/2(optional)
I	HDMI

Intel® Kaby/Sky Lake Series



Number	Component
A	AC-in Jack(AC100~240V 50~60Hz)
B	COM 1
C	COM 1
D	USB 3.0 X 4
E	LAN X 2
F	DP
G	HDMI

Wall-Mount Type & Stand



The company reserves the right to modify specifications without prior notice.

Puritron International Inc.

4F., No.5, Ln. 45, Baoxing Rd., Xindian Dist.,
New Taipei City 23145, Taiwan, R.O.C.

www.puritron.com.tw
+886-2-2914-7298

info@puritron.com.tw
+886-2-2915-6795